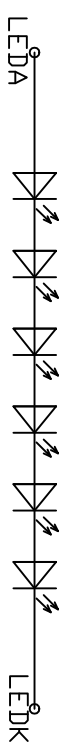
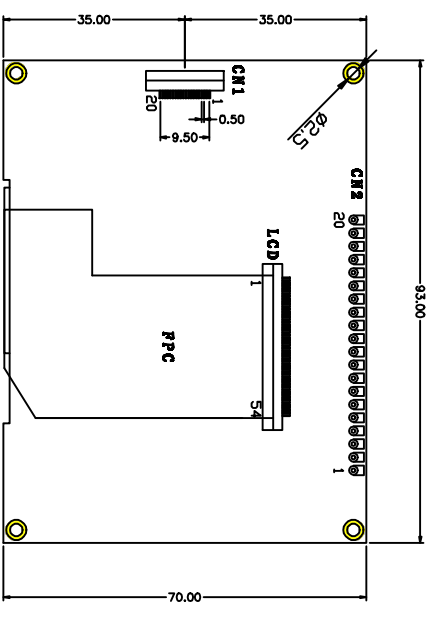
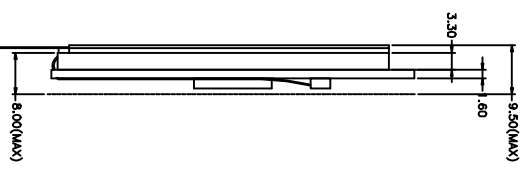
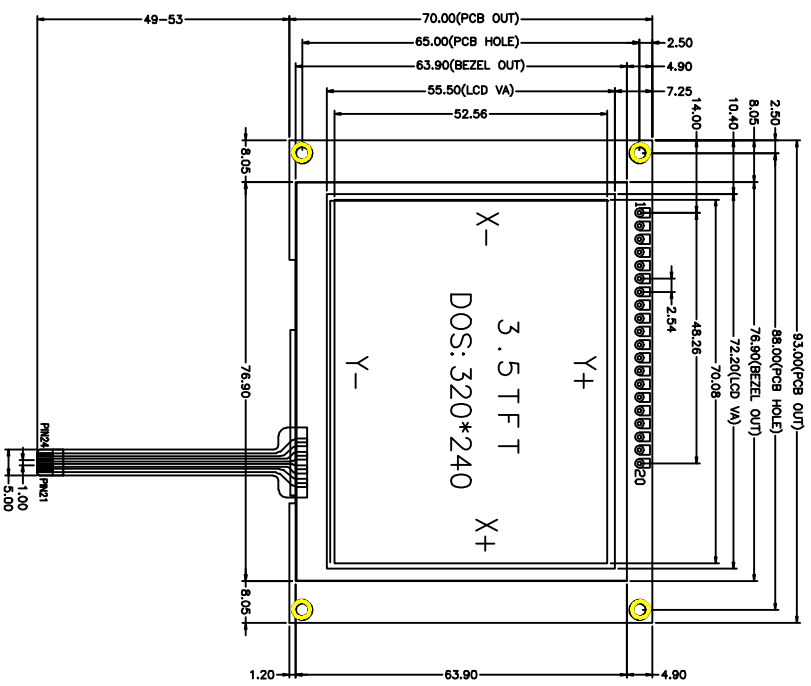
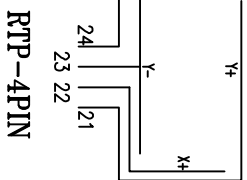


REV	DESCRIPTION:	BY	DATE
A0	FIRST ISSUE	LYC	2016.09.06



PIN FUNCTION

PIN NO	SYMBOL	FUNCTION	PIN NO	SYMBOL	FUNCTION
1	VSS	GND(DV)	11	DB4	Data Bit4
2	VDD	VDD(+3.3V)	12	DB5	Data Bit5
3	VD	Contrast Adjust	13	DB6	Data Bit6
4	A0	Data Instruction code	14	DB7	Data Bit7
5	/VR	DATA Write	15	/CS	CHIP Select
6	/RD	DATA Read	16	/RESET	Reset Signal
7	DB0	Data Bit0	17	/VE(NC)	Negative Voltage Input
8	DB1	Data Bit1	18	SEL	H6800, L8080
9	DB2	Data Bit2	19	LED+	LED Backlight +19.2V
10	DB3	Data Bit3	20	LED-	LED Backlight 0V



No.	Item	Specification	Unit
1	LCM Design	3.5TFT+RTP+PCBA	inch
2	Number of Pixels	320(W)x320(H)	pixels
3	Active Area	70.08(H)x52.56(V)	mm
4	Outline Dimension	93.00(W)x70.00(H)x8.0(T)	mm
5	Display Mode	Normally white TN, Transmissive	-
6	Viewing Direction	6 O'clock	-
7	Display Color	262K	-
8	Contrast Ratio	350(TYP)	-
9	Backlight	White LED(6*1)	-
10	Luminance(cd/m2)	300(MIN)	cd/m2
11	Operation Temp.	-20~70 °C	°C
12	Operation Current	250 mA @ 5.0V	mA
13	Interface	MCU 8bits (8080 OR 6800)	-
14	Download Port	NC	-
15	External Interface	NC	-

UNLESS OTHERWISE NOTED:				DRAWING TYPE:	MCU	REV:	A0
DRAWING No.:				PMC035CT54BML-T01			
CHECKED BY:				DATE:			
THIRD ANGLE PROJECTION				SCALE 1:1 SHEET: 1 OF 1			