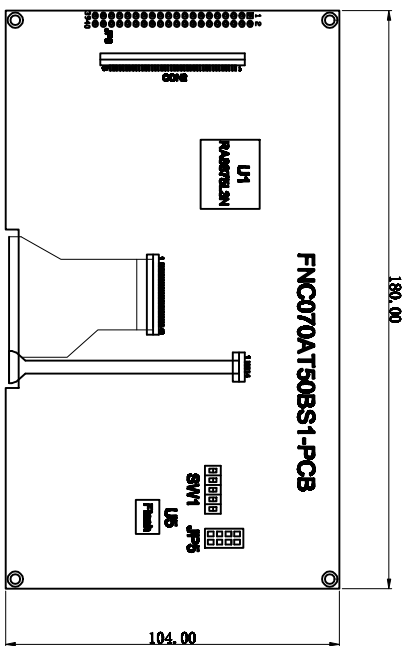
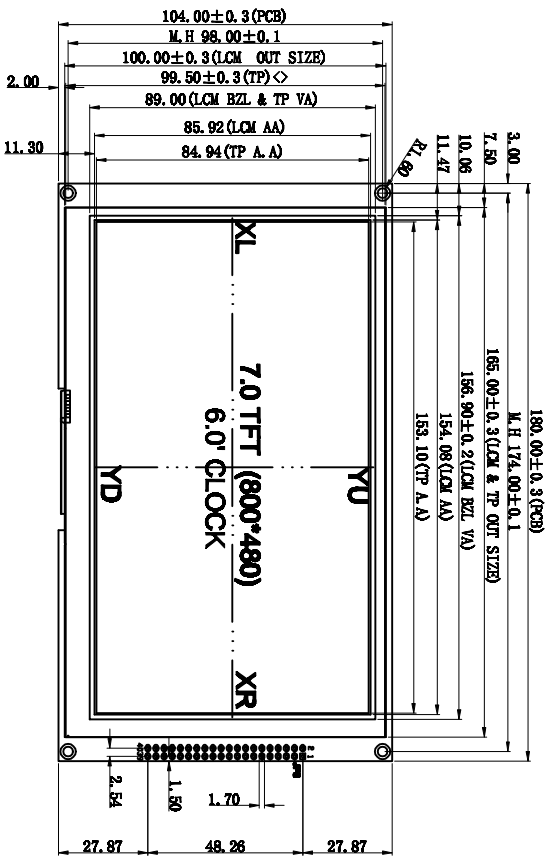
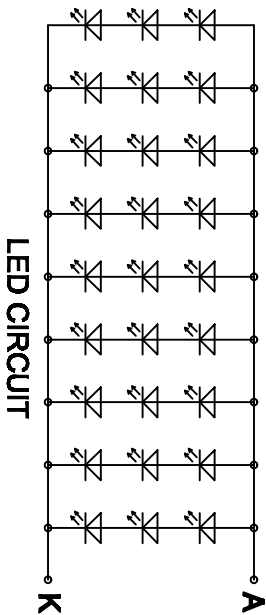


8 7 6 5 4 3 2 1

| | | | |
|---------|---------------------------|---------|------------------|
| REV: A0 | DESCRIPTION: First Design | BY: JSW | DATE: 2018-03-20 |
|---------|---------------------------|---------|------------------|



| No. | Item | Specification | Unit |
|-----|--------------------|---------------------------------|--------|
| 1 | LCM Design | 7.0TFT+RTP+PCBA | - |
| 2 | Number of Pixels | 800(W)x3(RGB)x480(H) | pixels |
| 3 | Active Area | 154.08(H)x85.92(V) | mm |
| 4 | Outline Dimension | 180.00(W)x104.00(H)x12.0(T) | mm |
| 5 | Display Mode | Normally white TN, Transmissive | - |
| 6 | Viewing Direction | 6 O'clock | - |
| 7 | Display Color | 16.7M | - |
| 8 | Contrast Ratio | 500(TYP) | - |
| 9 | Backlight | White LED(3*9) | - |
| 10 | Luminance(cd/m2) | 600(MIN) | cd/m2 |
| 11 | Operation Temp. | -20~70 °C | °C |
| 12 | Operation Current | 850 mA @ 3.3V | mA |
| 13 | Interface | 4-Wire SPI Serial Port | - |
| 14 | Download Port | NC | - |
| 15 | External Interface | 12C, 3-Wire SPI, MCU Interface | - |



| Part No. | Part Name |
|----------|-----------|
| 1 | V8S |
| 2 | V8S |
| 3 | VDD |
| 4 | VDD |
| 5 | VDD |
| 6 | RAM-INT |
| 7 | SD0 |
| 8 | SD1 |
| 9 | SWCLK |
| 10 | SWDT |
| 11 | INT |
| 12 | RES(10K) |
| 13 | V8S |
| 14 | RES(10K) |
| 15 | D80 |
| 16 | D81 |
| 17 | D82 |
| 18 | D83 |
| 19 | D84 |
| 20 | D85 |
| 21 | D86 |
| 22 | D87 |
| 23 | D88 |
| 24 | D89 |
| 25 | D90 |
| 26 | D91 |
| 27 | D92 |
| 28 | D93 |
| 29 | D94 |
| 30 | D95 |
| 31 | V8S |
| 32 | GR-INT |
| 33 | GR-INT |
| 34 | GR-SDA |
| 35 | GR-SDA |
| 36 | GR-INT |
| 37 | VDD |
| 38 | VDD |
| 39 | V8S |
| 40 | V8S |

| | | | |
|-------------------------|---|---------------------------------------|----------------|
| UNLESS OTHERWISE NOTED: | | DRAWING TYPE: CD | REV: A0 |
| UNITS | DECIMAL | DRAWING No.: FNC070AT50BS1-T01 | DATE: |
| MM | 0 TO 6 ±0.1 6 TO 30 ±0.2 30 TO 100 ±0.3 | CHECKED BY: | DATE: |
| ANGLES | PLATED HOLES +0.08 NON-PLATED THRU HOLES -0.03 | THIRD ANGLE PROJECTION | |
| ±0.5° | | SCALE 1 : 1 | SHEET: 1 OF 1 |