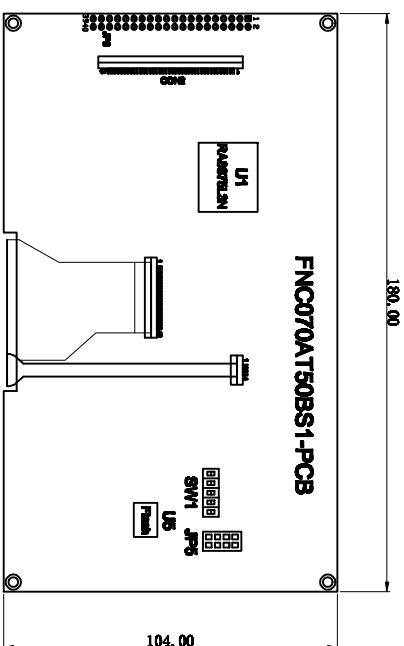
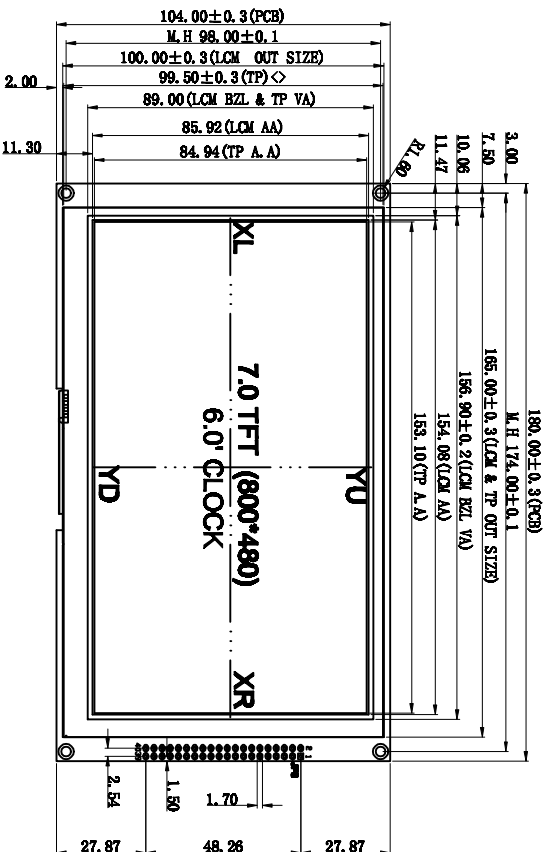
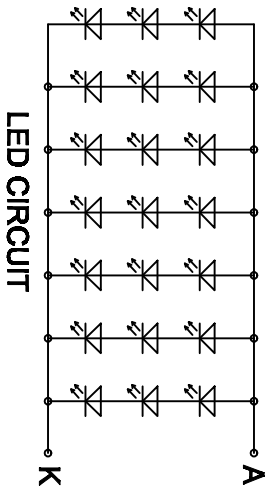
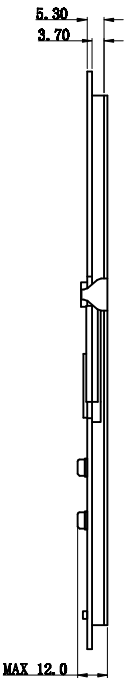


REV	DESCRIPTION:	BY	DATE
A0	First Design	JSW	2018-03-20



No.	Item	Specification	Unit
1	LCM Design	7.0TFT+RTP+PCBA	-
2	Number of Pixels	800(W)x3(RGB)x480(H)	pixels
3	Active Area	154.08(H)x85.92(V)	mm
4	Outline Dimension	180.00(W)x104.00(H)x12.0(T)	mm
5	Display Mode	Normally white TN, Transmissive	-
6	Viewing Direction	6 O'clock	-
7	Display Color	16.7M	-
8	Contrast Ratio	500(TYPE)	-
9	Backlight	White LED(3*9)	-
10	Luminance(cd/m2)	300(MIN)	cd/m2
11	Operation Temp.	-20~70 °C	°C
12	Operation Current	450 mA @ 3.3V	mA
13	Interface	4-Wire SPI Serial Port	-
14	Download Port	NC	-
15	External Interface	12C, 3-Wire SPI, MCU Interface	-



Part No.	Part Name
1	V8S
2	V8S
3	VDD
4	VDD
5	VDD
6	RAM-INT
7	SD0
8	SD1
9	SWCLK
10	SWD
11	SWD
12	SWD
13	V8S
14	BL-CONTROL
15	DB0
16	DB1
17	DB2
18	DB3
19	DB4
20	DB5
21	DB6
22	DB7
23	DB8
24	DB9
25	DB10
26	DB11
27	DB12
28	DB13
29	DB14
30	DB15
31	V8S
32	GPIO-INT
33	GPIO-INT
34	GPIO-INT
35	GPIO-INT
36	GPIO-INT
37	VDD
38	VDD
39	V8S
40	V8S

UNLESS OTHERWISE NOTED:		DRAWING TYPE:	<b>SPI</b>	REV:	<b>A0</b>
UNITS	DECIMAL	DRAWING No.:	<b>FNC070AT50BS2-T01</b>		
MM	0 TO 6 ±0.1 6 TO 30 ±0.2 30 TO 100 ±0.3	CHECKED BY:	DATE:		
ANGLES	PLATED THRU HOLES +0.08 NON-PLATED THRU HOLES -0.03	THIRD ANGLE PROJECTION			
±0.5	THRU HOLES -0.03	SCALE	1 : 1	SHEET:	1 OF 1